

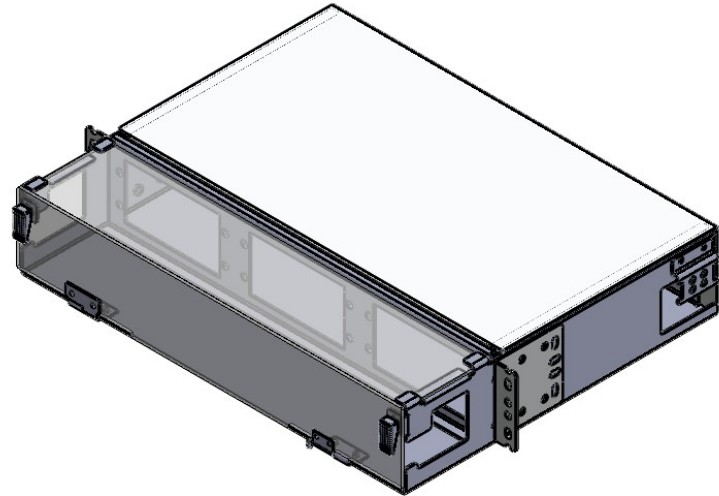
2

1

FBC2U6P

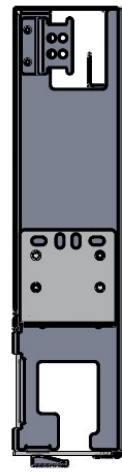
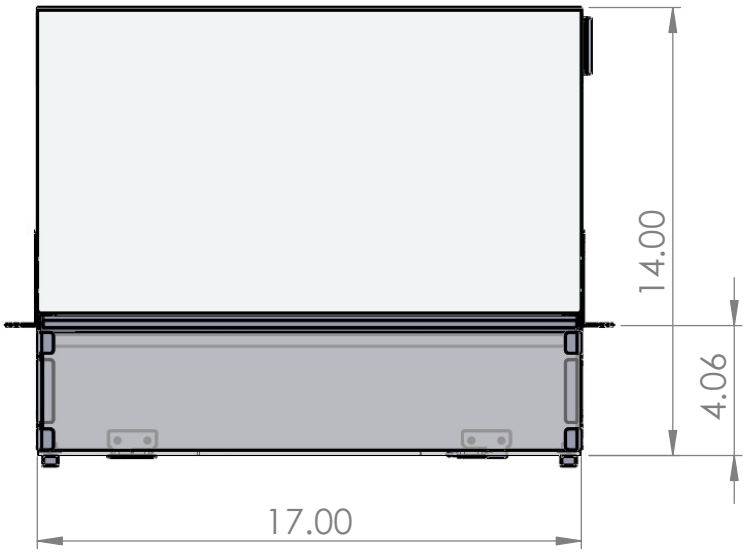
Rack Mount 2U Patch Panel (Splice Optional)
Accepts up to 6 Modular Adapter Panels

B



B

A



A

Notes:
16 Ga CRS
Durable Black Powder Coat Finish

Accepts up to 6 MAP Panels
Optional Splice Deck Available
Simple cable entry mount

www.opticonx.com

PROPRIETARY AND CONFIDENTIAL
 THE INFORMATION CONTAINED IN THIS
 DRAWING IS THE SOLE PROPERTY OF
 Opticonx, Inc. ANY
 REPRODUCTION IN PART OR AS A WHOLE
 WITHOUT THE WRITTEN PERMISSION OF
 Opticonx, Inc. IS
 PROHIBITED.

2

1