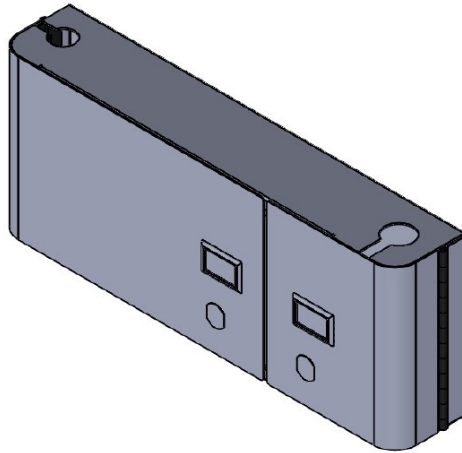


# Opticonx Xtreme™ 1-Pos. Wall Mount Patch Panel



## Xtreme™ WMP01P 1-Position Wall Mount Patch Panel

### Application:

Transition from backbone cabling to patch cables and/or jumper cords for connectivity to network equipment. This wall mount patch panel enclosure is used in conjunction with Opticonx LGX-style Xtreme™ Modular Adapter Plates ( MAPs), and Xtreme™ cassettes when used with P3XRF bracket kits. It houses 1 MAP or 1-2 Xtreme™ cassettes .

### Features:

- ◆ Material: 16 Gauge cold rolled steel.
- ◆ Finish: Black, Epoxy powder coat, textured.
- ◆ Top & bottom keyway cable entry ports.
- ◆ Double, lockable doors.
- ◆ Internal cable management rings.
- ◆ Installation accessories included

### Capacity:

- ◆ Holds up to 1 LGX-style Xtreme™ Modular Adapter Panel
- ◆ Holds up to 2 Xtreme™ cassettes
- ◆ 6 FC, 12 ST or SC, 24 LC w/ MAPs
- ◆ 6-12 MTP® w/ MAP
- ◆ 24 LC w/ cassettes

**Part Number: WMP01P**

# Opticonx Xtreme™ 1-Pos. Wall Mount Patch

## Specifications:

### Dimensions:

6.0" High x 15.0" Wide x 3.0"  
Deep

### Weight:

5.5 Lbs



## Mounting:

The enclosure can be mounted on 3/4" plywood backer board through four (4) embossed mounting holes.

## Cable Management:

Fiber optic cable management clips are installed in both the left and right side compartments.

The cable management clips and compartment size are designed to route incoming cables to the fiber adapters and cassettes and the jumpers out of the top or bottom of the box.

## Cable Entry/Exit:

Cable entry holes are located on the top and bottom of the enclosure on both the backbone and jumper patching side of the unit.

## Included Accessories :

- ◆ (2) 6" Cable Ties
- ◆ (1) Port ID Label
- ◆ (1) Laser Warning Label